

X-Band 325 kW Coaxial Magnetron

VMX1132

Features:

- Frequency 7.8 – 8.5 GHz
- Peak Power Output 325 kW
- Duty Cycle .001
- Anode Voltage 29 kV
- Anode Current 30 amps
- Pulse Width 3.5 microseconds
- Heater 9 volts @ 14 amps
- Air cooled
- Mechanically tunable

Benefits:

- Long life
- Exceptional frequency stability



Applications:

- Threat simulator radars
- Air traffic control radars
- Weather radars



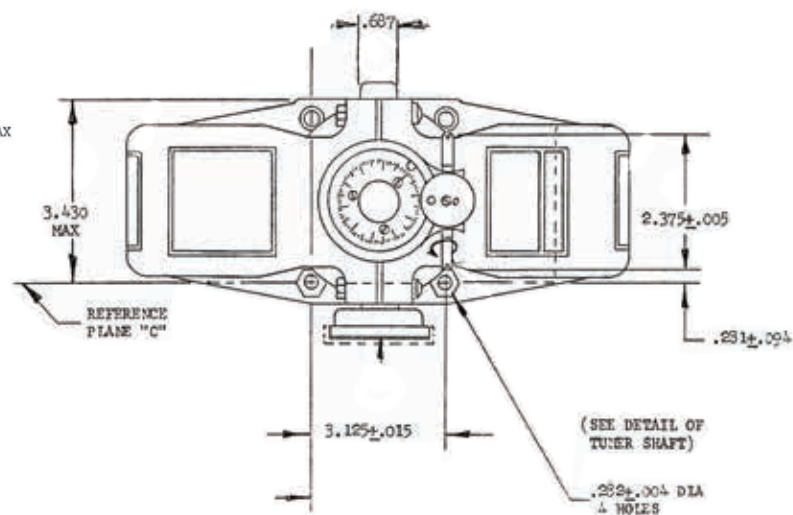
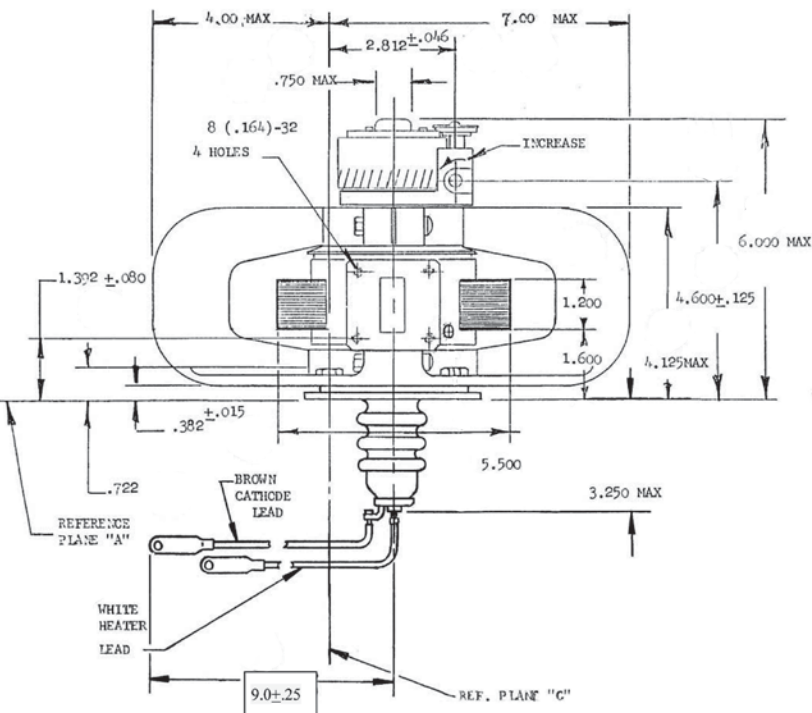
X-Band 325 kW Magnetron - VMX1132

Electrical Specifications

Frequency	7.8 – 8.5 GHz
Peak Power Output	325 kW
Average Power Output	0.325 kW
Pulse Voltage	27 – 30 kV
Peak Anode Current	35 A
Average Anode Current	30.0 mA
Pulse Width	3.5 μ S
Duty Cycle	0.001
Maximum Filament Voltage	10 V
Maximum Filament Current	50 A
Minimum Warm-Up Time	180 S
Maximum Load VSWR	1.3:1

Mechanical and Environmental Specifications

Cooling	Forced air
Maximum Body Temperature	125 C
Mounting Position	Any
Support	Mounting flange
Coupling	WR112
Tuning	116
Weight	20 lbs.



The values listed above represent specified limits for the product and are subject to change. The data should be used for basic information only. Formal, controlled specifications may be obtained from CPI for use in equipment design.